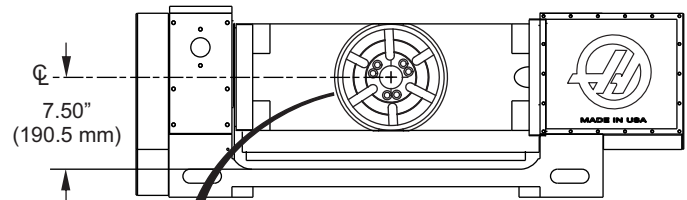
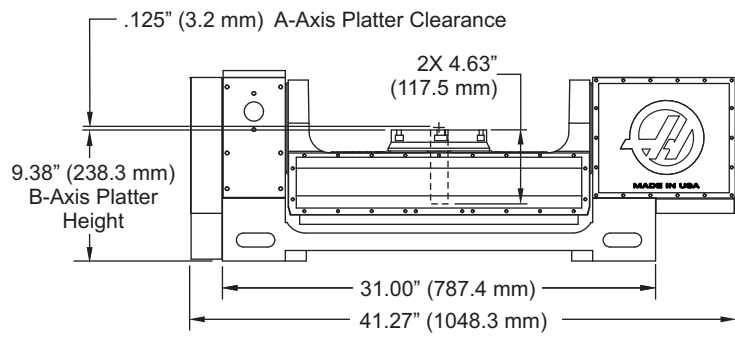
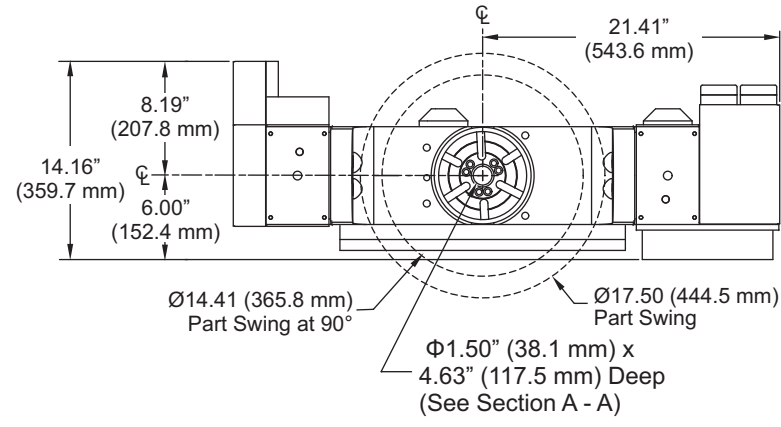
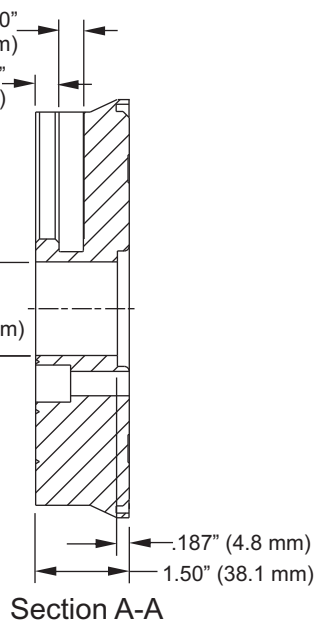
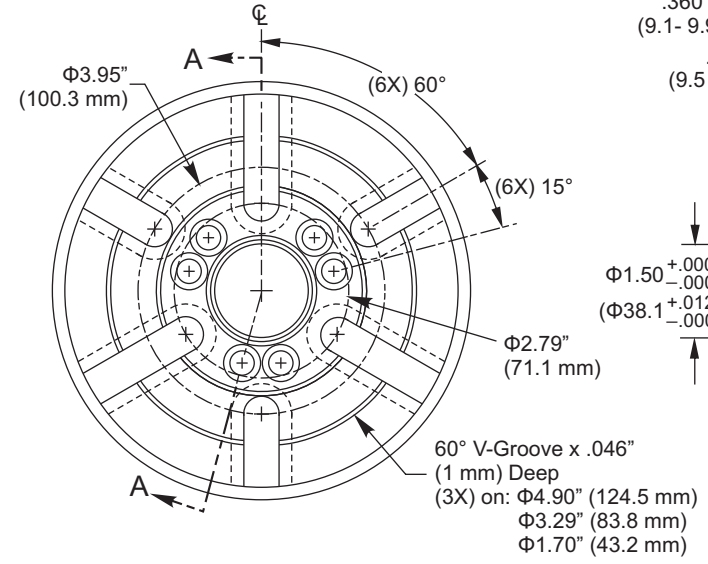
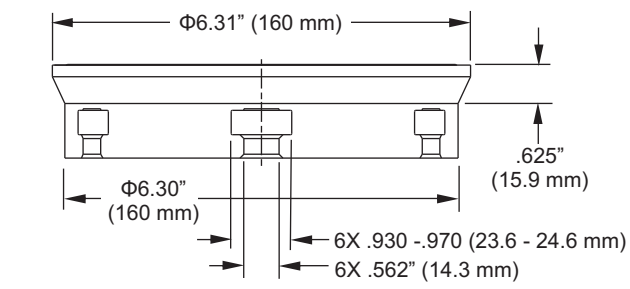


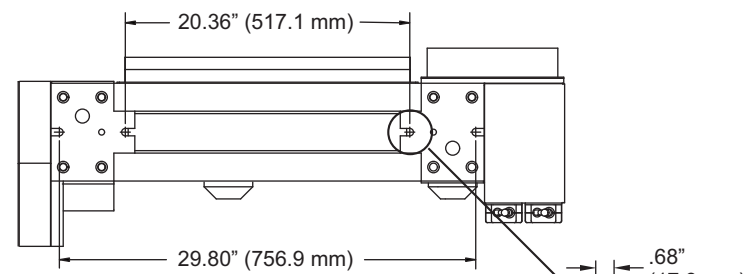
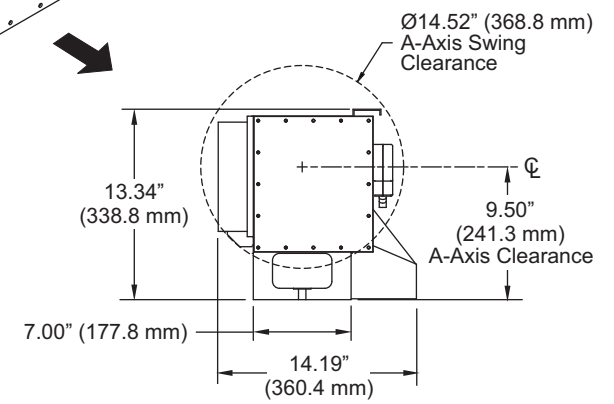
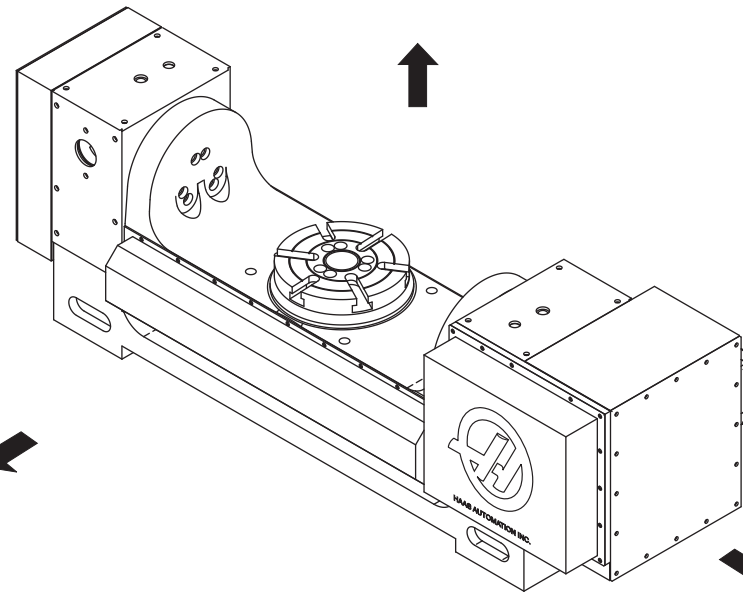
TR-160



Platter rotated 90° to base



TR-160 Platter Dimensions



Bottom View

Slot Detail (4X)

Drawing Name: TR-160 Machine Views_B.cdr
 Network Path: I:\Graphics\ROTARY
 Last Updated: 10/24/11
 By: G. Grajeda
 Change Description:
 First Release